

- ③ BRASS GROUND TERMINAL
- ④ BRASS TERMINAL

- ⑤ MOULDED THERMOPLASTIC
- ⑥ CERTIFIED WIRING MATERIAL
- ⑦ RETAINING CLIP

WHERE "cc" REPRESENTS COLOUR CODE I.E. "BK" IS BLACK

**ACCEPTABLE FOR USE IN ENVIRONMENTAL AIR SPACES OTHER THAN DUCTS OR PLENUMS.  
SYSTEM IS RATED FOR CONNECTION TO A GROUNDED 125V BRANCH CIRCUIT.**

**MEETS OR EXCEEDS: - CSA 22.2 NO. 182.3  
- CSA 22.2 NO. 203.1  
- UL 1977  
- UL 183**



125 Volt 20 Amp

CDN. PATENT - 1219307

U.S. PATENT - 4775802

ITEM	DESCRIPTION	PART#/POSITION	REMARKS
6	GREEN	1	GROUND
	WHITE	2	NEUTRAL
	BLACK	3	LINE



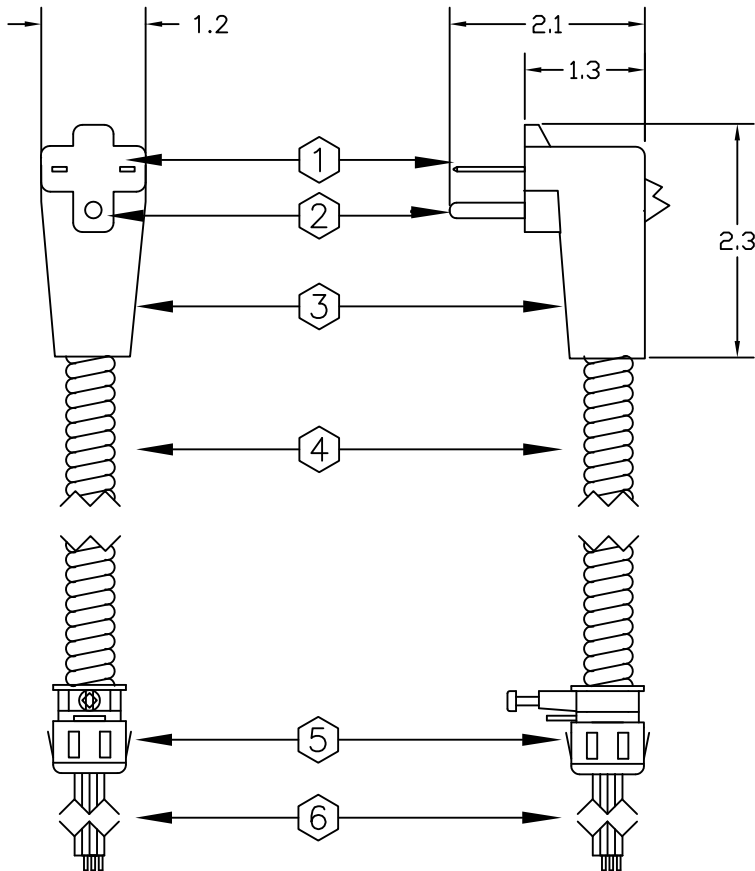
100-5977 HAZELDEAN ROAD, OTTAWA, ONTARIO, CANADA K2S 1B9  
TELEPHONE (613) 836-0300 FAX (613) 836-0391  
TOLL-FREE (866) 233-5328 FAX (866) 933-1933  
e-mail: support@electeconline.com

**OWNERSHIP OF DOCUMENTS**  
This drawing and accompanying information as instrument of service are the property of **ELECTEC**.  
Reproduction or use in whole or in part in any form whether the work for which they are presented be executed or not is forbidden without the express written permission of **ELECTEC**.

**DUAL RECEPTACLE**

10031RTRTcc

DRAWN BY: J.Y.	APPROVED: D.H.	10031RTRT.11
DATE: 21-OCT-08	SCALE: N.T.S.	



- ① BRASS BLADE
- ② BRASS GROUND PIN
- ③ MOULDED THERMOPLASTIC
- ④ "ULTRALX" AC90/MC or AC90 or MC LS 600V 90°C (CSA 22.2 No. 51-95 and UL 1569)
- ⑤ LOCKNUTLESS BOX CONNECTOR 1/2" K.O.
- ⑥ TAIL WITH STRIPPED ENDS

WHERE "cc" REPRESENTS COLOUR CODE I.E. "BK" IS BLACK  
 WHERE "d" REPRESENTS CERTIFIED WIRING MATERIAL. I.E. "A" IS AC90  
 WHERE "III" REPRESENTS LENGTH CODE I.E. "040" IS 04.0 METERS

**SYSTEM IS RATED FOR CONNECTION TO A GROUNDED 125V BRANCH CIRCUIT.  
 MANUFACTURED WIRING SYSTEM UTILIZING 12 AWG APPROVED ULTRALX CABLE.  
 INSTALLATION IN ACCORDANCE WITH THE CEC PART I OR THE NEC.  
 ACCEPTABLE FOR USE IN ENVIRONMENTAL AIR SPACES OTHER THAN DUCTS OR PLENUMS  
 PER CEC PART I 12-010(3) OR NEC 300-22(C)  
 MEETS OR EXCEEDS: - CSA 22.2 NO. 203.1  
 - UL 183**




125 Volt 20 Amp

CDN. PATENT - 1219307

U.S. PATENT - 4775802

ITEM	DESCRIPTION	PART#/POSITION	REMARKS
4	BARE	1	GROUND
	WHITE	2	NEUTRAL
	BLACK	3	LINE



100-5977 HAZELDEAN ROAD, OTTAWA, ONTARIO, CANADA K2S 1B9  
 TELEPHONE (613) 836-0300 FAX (613) 836-0391  
 TOLL-FREE (866) 233-5328 FAX (866) 933-1933  
 e-mail: support@electeonline.com

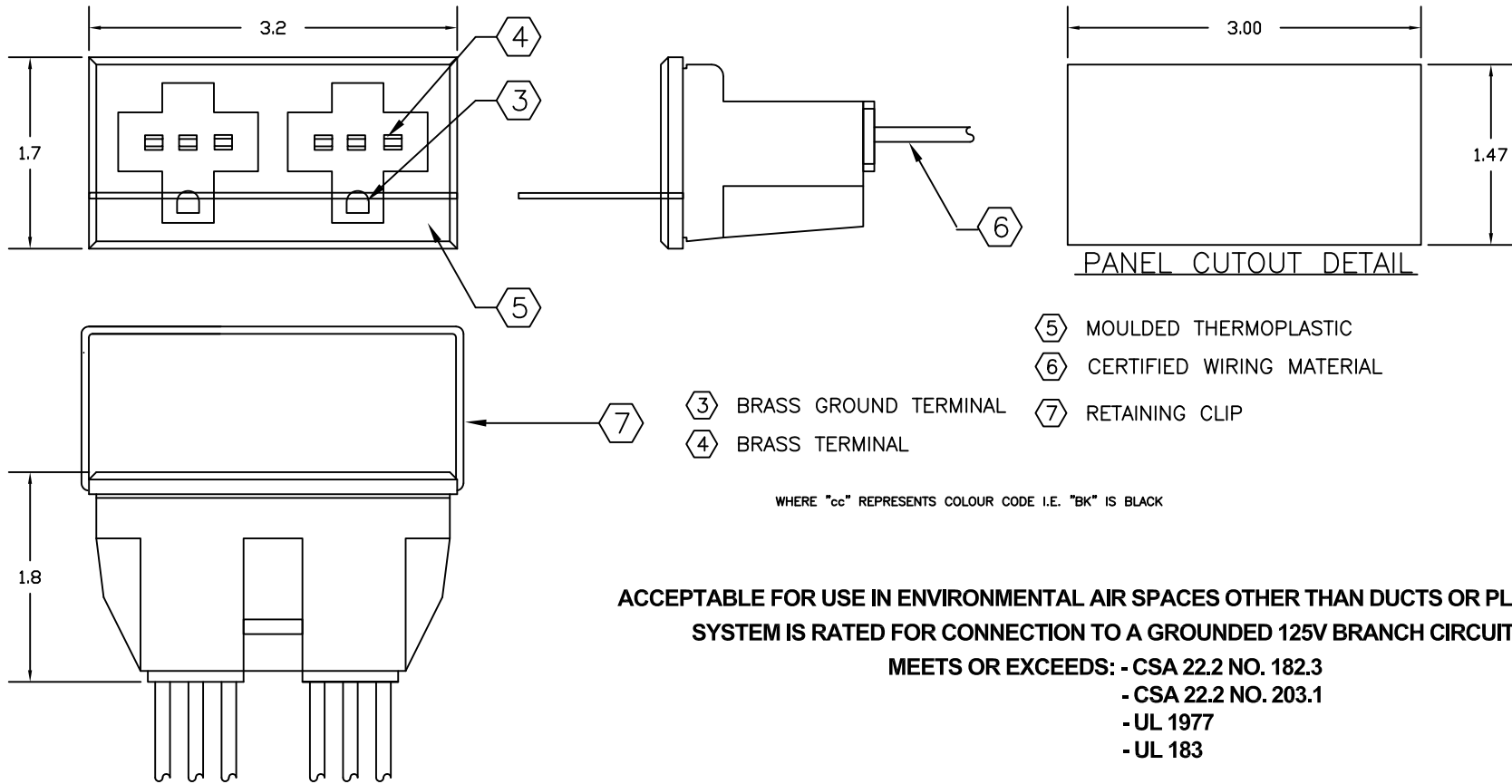
**OWNERSHIP OF DOCUMENTS**

This drawing and accompanying information as instrument of service are the property of **ELECTEC**.  
 Reproduction or use in whole or in part in any form whether the work for which they are presented is executed or not is forbidden without the express written permission of **ELECTEC**.

**DROP CABLE**

11031MTccIIId

DRAWN BY: J.Y.	APPROVED: D.H.	11031MT.7
DATE: 27-NOV-08	SCALE: N.T.S.	



125 Volt 20 Amp

CDN. PATENT - 1219307

U.S. PATENT - 4775802

ITEM	DESCRIPTION	PART#/POSITION	REMARKS
6	GREEN	1	GROUND
	WHITE	2	NEUTRAL
	BLACK	3	LINE
	GREEN/YELLOW TRACER	4	ISOLATED GROUND



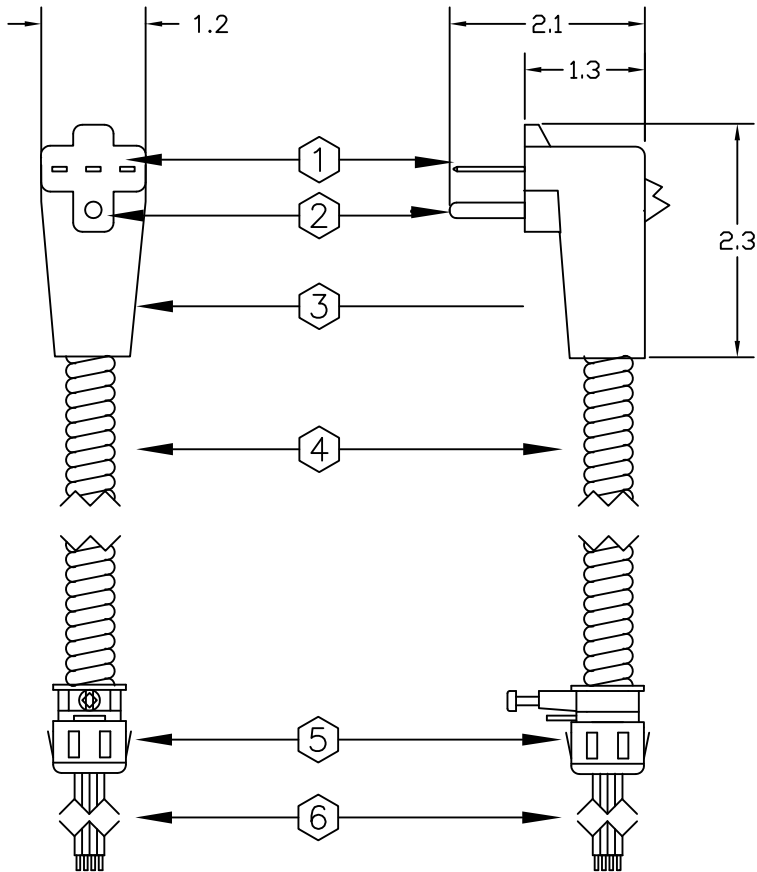
100-5977 HAZELDEAN ROAD, OTTAWA, ONTARIO, CANADA K2S 1B9  
 TELEPHONE (613) 836-0300 FAX (613) 836-0391  
 TOLL-FREE (866) 233-5328 FAX (866) 933-1933  
 e-mail: support@electeconline.com

**OWNERSHIP OF DOCUMENTS**  
 This drawing and accompanying information as instrument of service are the property of **ELECTEC**. Reproduction or use in whole or in part in any form whether the work for which they are presented be executed or not is forbidden without the express written permission of **ELECTEC**.

**DUAL RECEPTACLE**

**10041RTRTcc**

DRAWN BY: J.Y.	APPROVED: D.H.	<b>10041RTRT.9</b>
DATE: 21-OCT-08	SCALE: N.T.S.	



- ① BRASS BLADE
- ② BRASS GROUND PIN
- ③ MOULDED THERMOPLASTIC
- ④ "ULTRALX" AC90/MC or AC90 or MC LS 600V 90°C (CSA 22.2 No. 51-95 and UL 1569)
- ⑤ LOCKNUTLESS BOX CONNECTOR 1/2" K.O.
- ⑥ TAIL WITH STRIPPED ENDS

WHERE "cc" REPRESENTS COLOUR CODE I.E. "BK" IS BLACK  
 WHERE "d" REPRESENTS CERTIFIED WIRING MATERIAL I.E. "A" IS AC90  
 WHERE "III" REPRESENTS LENGTH CODE I.E. "040" IS 04.0 METERS

**SYSTEM IS RATED FOR CONNECTION TO A GROUNDED 125V BRANCH CIRCUIT.  
 MANUFACTURED WIRING SYSTEM UTILIZING 12 AWG APPROVED ULTRALX CABLE.  
 INSTALLATION IN ACCORDANCE WITH THE CEC PART I OR THE NEC.  
 ACCEPTABLE FOR USE IN ENVIRONMENTAL AIR SPACES OTHER THAN DUCTS OR PLENUMS  
 PER CEC PART I 12-010(3) OR NEC 300-22(C)  
 MEETS OR EXCEEDS: - CSA 22.2 NO. 203.1  
 - UL 183**




125 Volt 20 Amp

CDN. PATENT - 1219307

U.S. PATENT - 4775802

ITEM	DESCRIPTION	PART#/POSITION	REMARKS
4	BARE	1	GROUND
	WHITE	2	NEUTRAL
	BLACK	3	LINE
	GREEN/YELLOW TRACER	4	ISOLATED GROUND



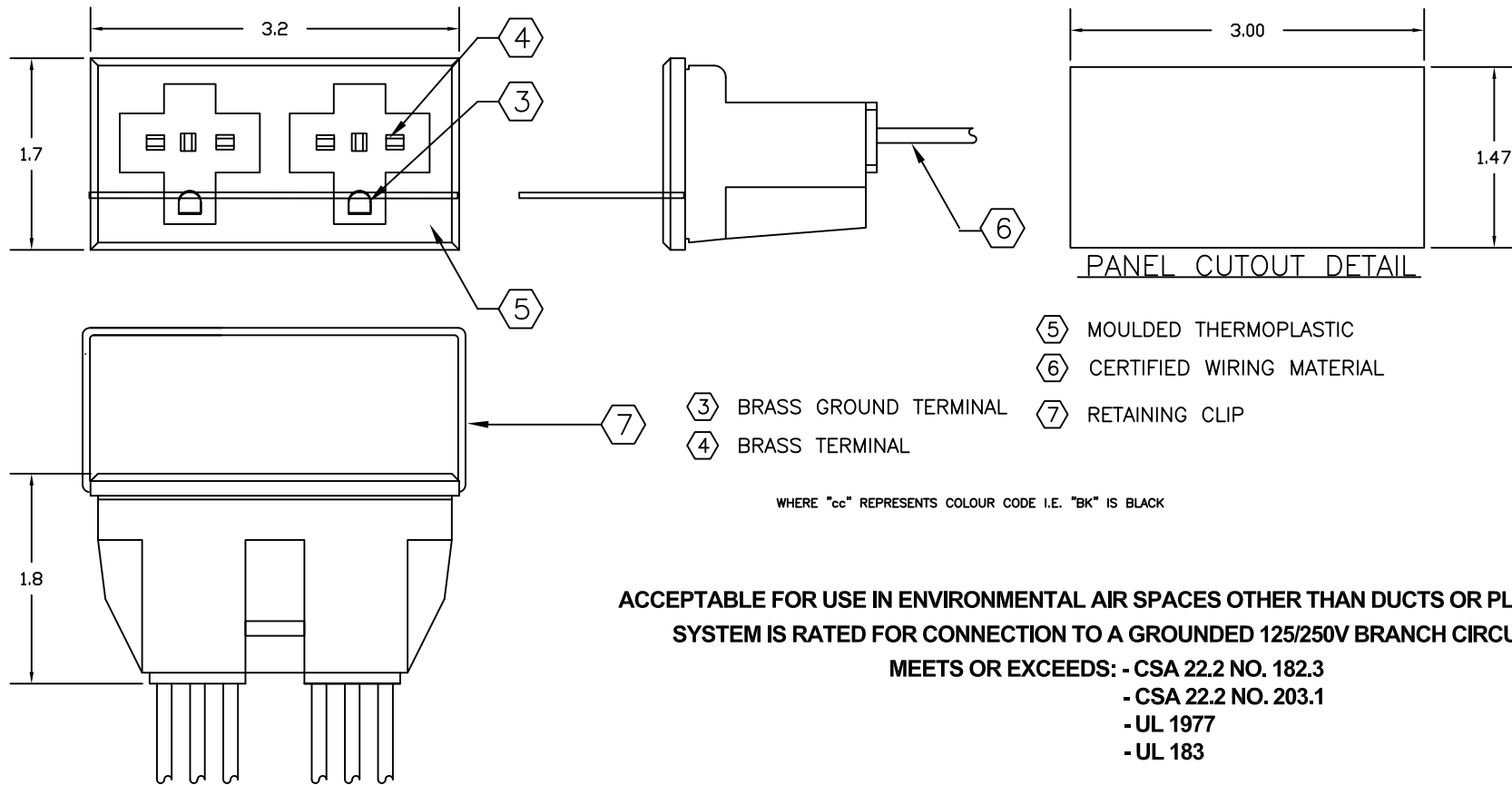
100-5977 HAZELDEAN ROAD, OTTAWA, ONTARIO, CANADA K2S 1B9  
 TELEPHONE (613) 836-0300 FAX (613) 836-0391  
 TOLL-FREE (866) 233-5328 FAX (866) 933-1933  
 e-mail: support@electeonline.com

**DROP CABLE**

**11141MTcclIId**

DRAWN BY: J.Y.	APPROVED: D.H.	<b>11141MT.9</b>
DATE: 27-NOV-08	SCALE: N.T.S.	

**OWNERSHIP OF DOCUMENTS**  
 This drawing and accompanying information as instrument of service are the property of **ELECTEC**.  
 Reproduction or use in whole or in part in any form whether the work for which they are presented is executed or not is forbidden without the express written permission of **ELECTEC**.




125/250 Volt 20 Amp

CDN. PATENT - 1219307

U.S. PATENT - 4775802

ITEM	DESCRIPTION	PART#/POSITION	REMARKS
6	GREEN	1	GROUND
	WHITE	2	NEUTRAL
	RED	3	LINE CCT.1
	BLACK	4	LINE CCT.2



100-5977 HAZELDEAN ROAD, OTTAWA, ONTARIO, CANADA K2S 1B9  
 TELEPHONE (613) 836-0300 FAX (613) 836-0391  
 TOLL-FREE (866) 233-5328 FAX (866) 933-1933  
 e-mail: support@electeconline.com

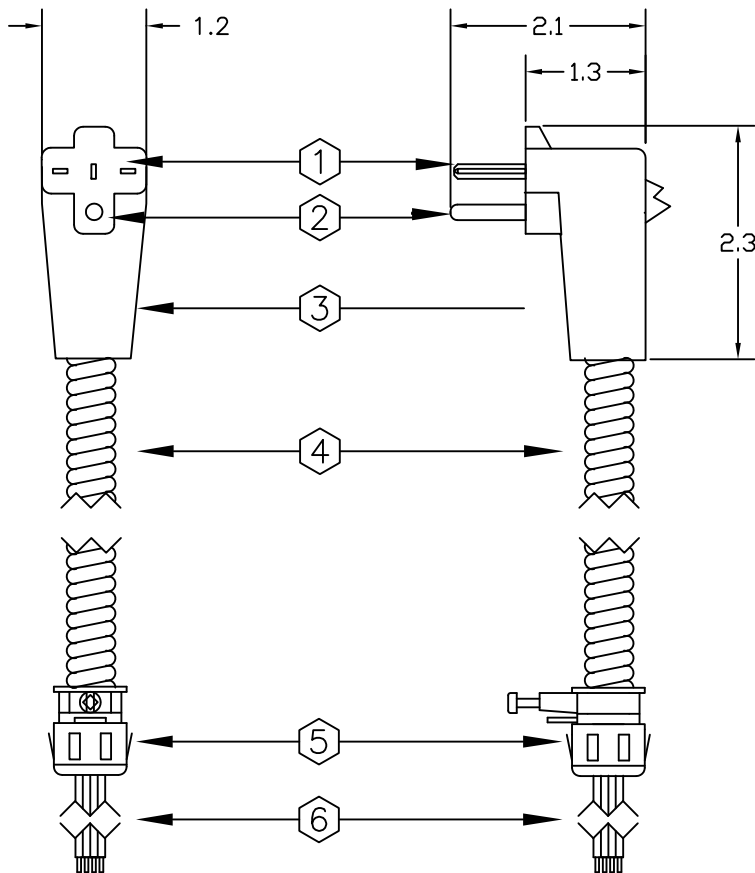
**OWNERSHIP OF DOCUMENTS**

This drawing and accompanying information as instrument of service are the property of **ELECTEC**. Reproduction or use in whole or in part in any form whether the work for which they are presented be executed or not is forbidden without the express written permission of **ELECTEC**.

**DUAL RECEPTACLE**

**10042RTRTcc**

DRAWN BY: J.Y.	APPROVED: D.H.	10042RTRT.9
DATE: 21-OCT-08	SCALE: N.T.S.	



- ① BRASS BLADE
- ② BRASS GROUND PIN
- ③ MOULDED THERMOPLASTIC
- ④ "ULTRALX" AC90/MC or AC90 or MC LS 600V 90°C (CSA 22.2 No. 51-95 and UL 1569)
- ⑤ LOCKNUTLESS BOX CONNECTOR 1/2" K.O.
- ⑥ TAIL WITH STRIPPED ENDS

WHERE "cc" REPRESENTS COLOUR CODE I.E. "BK" IS BLACK  
 WHERE "d" REPRESENTS CERTIFIED WIRING MATERIAL. I.E. "A" IS AC90  
 WHERE "III" REPRESENTS LENGTH CODE I.E. "040" IS 04.0 METERS

**SYSTEM IS RATED FOR CONNECTION TO A GROUNDED 125/250V BRANCH CIRCUIT.  
 MANUFACTURED WIRING SYSTEM UTILIZING 12 AWG APPROVED ULTRALX CABLE.  
 INSTALLATION IN ACCORDANCE WITH THE CEC PART I OR THE NEC.  
 ACCEPTABLE FOR USE IN ENVIRONMENTAL AIR SPACES OTHER THAN DUCTS OR PLENUMS  
 PER CEC PART I 12-010(3) OR NEC 300-22(C)  
 MEETS OR EXCEEDS: - CSA 22.2 NO. 203.1  
 - UL 183**




125/250 Volt 20 Amp

CDN. PATENT - 1219307

U.S. PATENT - 4775802

ITEM	DESCRIPTION	PART#/POSITION	REMARKS
4	BARE	1	GROUND
	WHITE	2	NEUTRAL
	RED	3	LINE Cct.1
	BLACK	4	LINE Cct.2



100-5977 HAZELDEAN ROAD, OTTAWA, ONTARIO, CANADA K2S 1B9  
 TELEPHONE (613) 836-0300 FAX (613) 836-0391  
 TOLL-FREE (866) 233-5328 FAX (866) 933-1933  
 e-mail: support@electeonline.com

**DROP CABLE**

**11242MTccIIId**

DRAWN BY: J.Y.	APPROVED: D.H.	<b>11242MT.9</b>
DATE: 27-NOV-08	SCALE: N.T.S.	

**OWNERSHIP OF DOCUMENTS**

This drawing and accompanying information as instrument of service are the property of **ELECTEC**.  
 Reproduction or use in whole or in part in any form whether the work for which they are presented is executed or not is forbidden without the express written permission of **ELECTEC**.