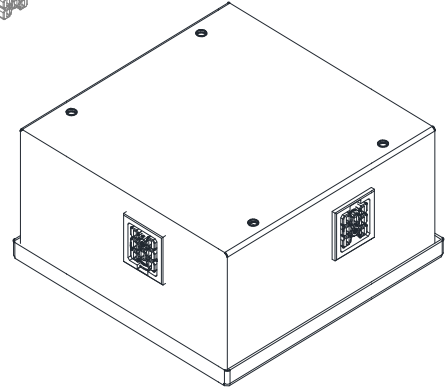
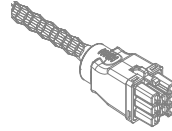


Secondary Distribution Module (SDM)

Delivers Zone Distribution Point for EZ-Wiring MWS



- Pre-wired enclosure provides zone circuit/phase selection requirements for power and/or lighting circuits
- All input and output connectors are flush-mounted to enclosure.
- Enclosure dimensions to suit project requirements.
- Enclosures available in multiple styles, including low-profile.
- **Multi-circuit input pre-wired to single-circuit outputs to suit project requirements.**

Specifications

- Connectors are integrally moulded for superior strength and reliability.
- Mating connectors are self-latching and shrouded for added safety and protection.
- Uniquely-keyed, colour-coded mating connectors ensure safe, simple and error-free connectivity.
- Robust terminals deliver excellent electrical performance.
- Manufactured with Eco-Friendly Halogen-free RoHS-compliant materials.
- UL 183 and CSA 22.2 No 203.1 certified Manufactured Wiring System
- Approved for luminaire disconnect per NEC 410.73(g) and CEC Part 1 30-308(4)
- Acceptable for use in environmental air handling spaces per NEC 300-22(c) and CEC Part 1 12-010(3)
- Constructed using UL and/or CSA approved metal enclosures.
- Enclosure size, number and configuration of receptacles to suit project requirements.

Ordering Information

Please contact Electec for details
613-622-0840
support@electeonline.com

Notes

1. Enclosure dimensions to suit project requirements.
2. Enclosures available in multiple styles, including low-profile.
3. Suitable for lighting/power distribution applications up to 600V 20A.
4. Delivers zone circuit/phase selection requirements for power and/or lighting circuits.
5. EZ-Wiring Plugs each deliver up to 8 wires (4L 2N 2G or 3L 3N 2G).
6. Entirely pre-wired, no internal access required.
7. Constructed as per product requirements

